



RALLY SAFETY SYSTEM INSTALLATION MANUAL



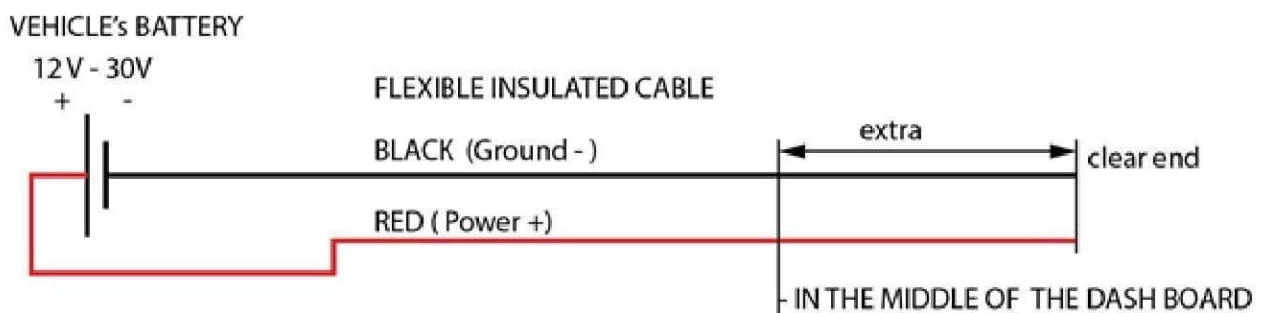
SYSTEM COMPONENTS

- **GPS Tracker** - 73x73x27mm (WxHxD). Installed at the A-pillar roll-cage using cable ties or at the dashboard using double sided tape.
- **Com-box** - 73x73x27mm (WxHxD). Installed via slip and clip in the supplied metal Base / Mount bracket.
- **Base / Mount bracket** - 75x74x26mm (WxHxD). Installed on the dashboard by means of screws, cable ties or double sided tape.



The Base / Mount bracket is supplied by the Geotraq team at the administrative check and remains property of the competitor after the event.

POWER SUPPLY



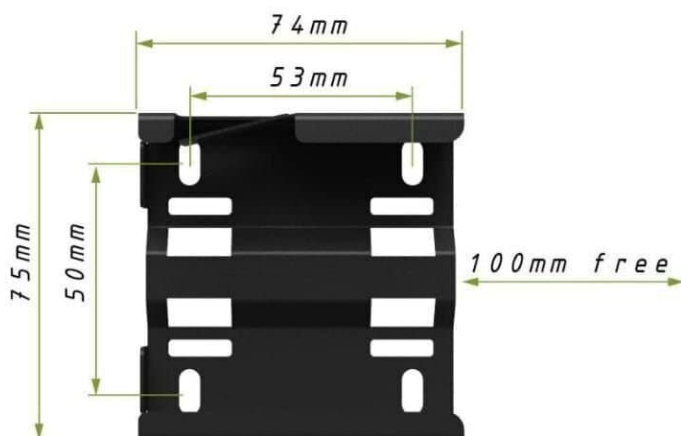
- The power cord must be connected directly to the battery. The Master cut-off (kill) switch must not interrupt the power supply to the system.
- The cabled used must be “flexible” (multi wire), insulated cable – 2x1 mm² or 2x1.5 mm² – Red and Black coloured (if possible).
- A 3A fuse (responsibility of the competitor) should be connected to the positive wire.

- The end of the power cord must be located as per the instructions at the top of the dash board or under it with easy access.
- The power cord must be prepared in advance and connected to the vehicle's battery when the vehicle is presented for scrutineering.
- Electrical details: voltage 6-30V DC, Nominal voltage 12V, Energy consumption (at 12.6V) 110 mA r.m.s.

Leave the power cord in place with at least 10 cm to spare for easy handling.

BASE / MOUNT BRACKET

- The Base / Mount bracket can be attached to the dashboard or to the roll-cage.
- The fitting can be done via screws, cable ties and double sided 3M tape. It is the responsibility of the competitor to prepare and mount the Base / Mount bracket before the vehicle is presented for scrutineering.



At least 10 cm of space must be left on the sliding side of the Base / Mount bracket to allow the installation of the Com-box.

POWER CONNECTORS

- The power cord must be equipped with FULLY INSULATED FEMALE Crimp Spade Terminal Connector – 6.3 x 0.8 mm. The Geotraq team will install the required terminals to the ready power cords.



INSTALLATION LOCATION

The Com-Box must be visible and accessible to the drivers even when they are sitting with the seatbelts buckled.

